



Technical Data

For detailed data and product description refer to the data sheets at www.pepperl-fuchs.com

General Data

Rated operating distance	12 mm
Installation	non-flush
Type of voltage	DC
Operating voltage	3.5 ... 30 V
Reverse polarity protection	reverse polarity-conductive
Switching frequency	0 ... 1000 Hz
Operating current	2 ... 100 mA
Short-circuit protection	pulsing
Indication of the switching state	LED, yellow
Ambient temperature	-25 ... 70 °C (-13 ... 158 °F)
Housing material	brass, nickel-plated
Protection degree	IP67

Properties

- Ø18 mm housing
- 12 mm, non-flush mountable
- DC, 2-wire switching output
- Cable and connector versions

Model Number

			NCN12-18GM50-Z4	NCN12-18GM50-Z5	NCN12-18GM50-Z4-V1	NCN12-18GM50-Z5-V1
Switching element function	DC NO		●		●	
	DC NC			●		●
Pre-fault indication	LED, red		●		●	
Connection type	Device connector M12 x 1, 4-pin				●	●
	cable PVC, 2 m		●	●		

Approvals and Certificates

UL approval	cULus Listed, General Purpose	●	●	●	●
CSA approval	cCSAus Listed, General Purpose	●	●	●	●
CCC approval	Products with a maximum operating voltage of ≤36 V do not bear a CCC marking because they do not require approval.				

Dimensions

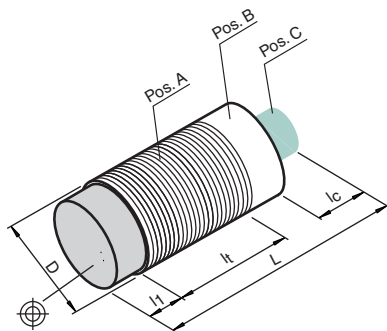
Length L [mm]		48	65
Diameter D [mm]			18
Thread length l _t [mm]		35	40
Cap length l ₁ [mm]			10
Connector area l _c [mm]		0	15
LED position			Pos. C

Accessories

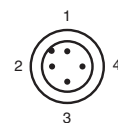
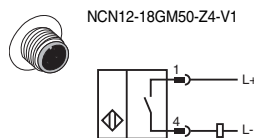
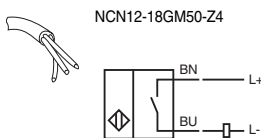
This and more accessories can be found in chapter 10

See pages from 972 ... for cordsets See pages 1068 ... for mounting aids

- BF 18** Mounting flange, 18 mm
- V1-G-BK** 4-pin, M12 female field-attachable connector
- V1-W-BK** 4-pin, M12 female field-attachable connector
- V1-G-2M-PUR** Cable socket, M12, 4-pin, PUR cable
- V1-W-2M-PUR** Cable socket, M12, 4-pin, PUR cable

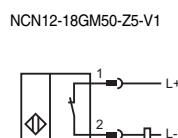
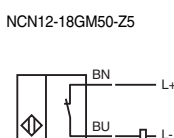


Electrical Connection



Wire colors in accordance with EN 60947-5-2

- 1 BN (brown)
- 2 WH (white)
- 3 BU (blue)
- 4 BK (black)



Date of issue 04/08/2015

Refer to "General Notes Relating to Pepperl+Fuchs Product Information".

Pepperl+Fuchs Group
www.pepperl-fuchs.com

USA: +1 330 486 0001
fa-info@us.pepperl-fuchs.com

Germany: +49 621 776 4411
fa-info@de.pepperl-fuchs.com

Singapore: +65 6779 9091
fa-info@sg.pepperl-fuchs.com

Courtesy of Steven Engineering, Inc - (800) 258-9200 - sales@steveng.com - www.steveng.com